

LTH142

1.4" Elliptical Tractrix



NOMINAL SPECIFICATIONS

Type	Elliptical Tractrix
Throat Diameter	35.6 mm (1.4 in)
Frequency Range	0.5÷18 kHz
Recommended Crossover Freq.	0.8 kHz
Horizontal Nominal Coverage (-6dB)	60°
Vertical Nominal Coverage (-6dB)	50°
Directivity Index	9.5 dB
Material	PC/ABS
Mouth Height	240 mm (9.5 in)
Mouth Width	350 mm (13.8 in)
Depth	233 mm (9.2 in)
Mouth Mounting Holes (4x)	6.5 mm (0.26 in)
Net Weight	890 g (1.96 lb)
Shipping Box (Single Carton Box)	380 x 255 x 245 mm (15.0 x 10.0 x 9.6 in)
Shipping Weight	1.44 Kg (3.17 lb)
NET Air Volume filled by HF Horn	2.5 dm ³ (0.088 ft ³)

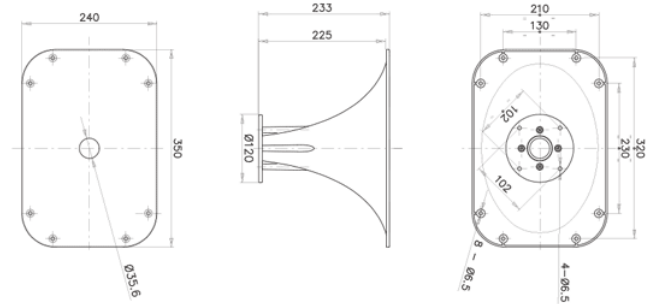
PART NUMBER

Part Number

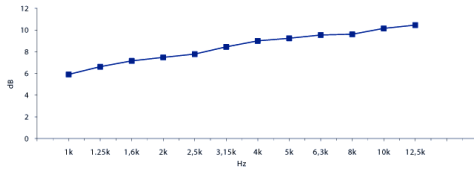
TR992586

NOTES:

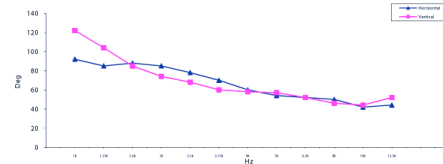
- (1) 4 π sr acoustic loading
- (2) Average value in frequency range: 1÷12.5 kHz
- (3) Average values on horizontal and vertical planes



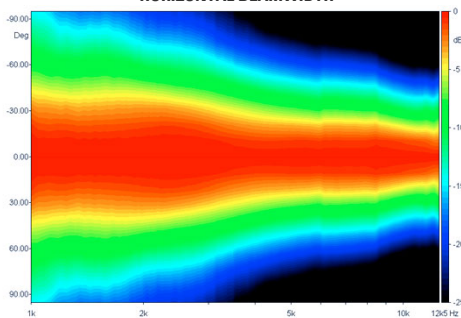
DIRECTIVITY INDEX



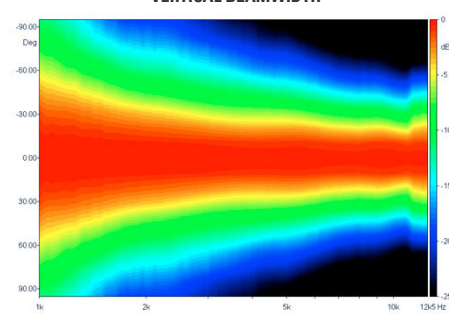
BEAMWIDTH



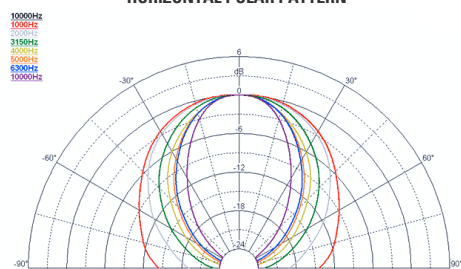
HORIZONTAL BEAMWIDTH



VERTICAL BEAMWIDTH



HORIZONTAL POLAR PATTERN



VERTICAL POLAR PATTERN

