

Main features

- ◆ Lamp type: OSRAM SIRIUS HRI™ 280,
- ◆ Power: 280W, Luminous flux: 14000 (lm)
- ◆ 16 million pixels LCD with both touch mode and non-touch one-button-to-go setup operative methods, available to display 180° reversely.
- ◆ 8 optional operating languages.
- ◆ RDM control protocols, available for remotely controlling the fixtures via software.
- ◆ Multi Protocols in one (DMX, Wireless, Ethernet)
- ◆ Lightweight and convenient to transport.
- ◆ Pan / Tilt rotation uses 3 - Phase motor to drive, running is smoother and noise is lower.
- ◆ Power supply 100 ~ 240V, 50 / 60 Hz wide voltage working mode.

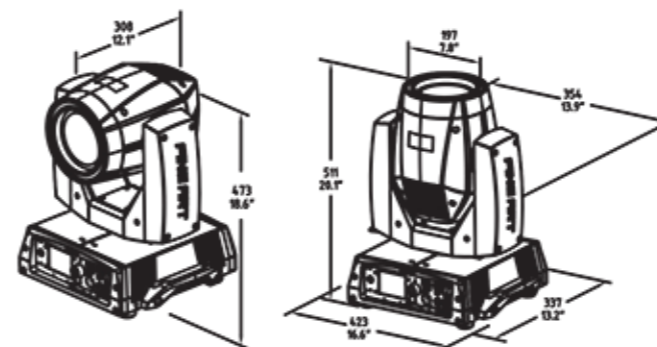
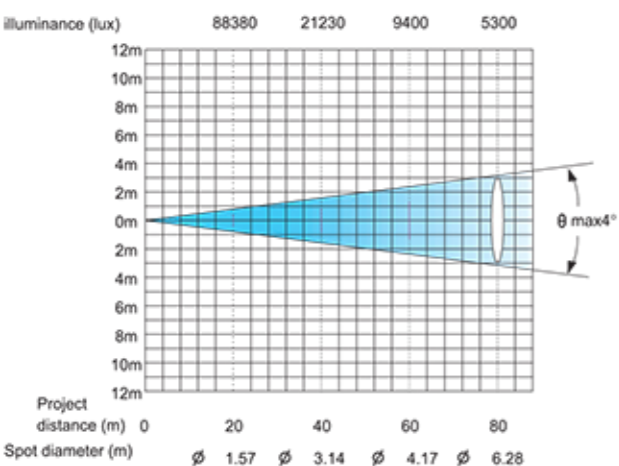
Color wheel



DMX Channels

01. Color wheel
02. Cut light / Strobe
03. Dimmer
04. Gobo wheel rotation
05. Prism insert
06. Prism rotation
07. Effect movement
08. Frost
09. Focus
10. Pan
11. Pan (16 Bit)
12. Tilt
13. Tilt (16 Bit)
14. Function settings
15. Reset
16. Lamp control
17. Pan / Tilt speed adjustment
18. Color wheel speed adjustment
19. Dimmer, frost, prism speed adjustment
20. Gobo wheel speed adjustment

Photometric diagram



Main features:

- ◆ Light source: OSRAM SIRIUS HRI™ 230W
- ◆ Lamp service life: 3,000 hours
- ◆ Lamp power: 230W
- ◆ Power supply: AC 100 ~ 240V, 50 / 60Hz
- ◆ Beam angle: 2.5°
- ◆ Electric focusing
- ◆ Color wheel with 14 colors
- ◆ Gobo wheel with 17 patterns
- ◆ A rotating prism
- ◆ Soft-focus filter
- ◆ Mechanical strobe and adjustable strobe effect
- ◆ Mechanical dimmer (0-100%)
- ◆ 16 / 20 two channel control mode

Color wheel



DMX Channels

01. Color wheel
02. Cut light / Strobe
03. Dimmer
04. Gobo wheel rotation
05. Prism insert
06. Prism rotation
07. (No effect)
08. Frost
09. (No effect)
10. Pan
11. Pan (16 Bit)
12. Tilt
13. Tilt (16 Bit)
14. Function settings
15. Reset
16. Lamp control
17. Pan / Tilt speed adjustment
18. Color wheel speed adjustment
19. Dimmer, frost, prism speed adjustment
20. Gobo wheel speed adjustment

Photometric diagram

