

XR 130 Beam

PR-2133



This product is belong to XR 130 series which uses with OSRAM 132W lamp, inherits most of advantages of XR 130 Spot. Besides, it features with 14 colors, 12 gobos, 8-facet prism and frost, endless Pan rotation, as well as a sharp 3°Beam. This product is ideal for stage, concert, club, and any other entertainment locations.

Key Features:

- OSRAM SIRIUS HRI 132W (8,800K, 6,000hrs)
- Power Supply: 100~240V AC, 50/60Hz
- Power Consumption: 240W@220V
- Beam angle: 0°~3°
- 1 Color Wheel: 14 colour filters + white
- 1 Rotating Gobo Wheel : 8 rotating gobos+ 4 fixed gobos
- 1 8-facet Prism(bi-directional rotation) +1 frost filter +1 CTO plus white
- Focus: 0-100% linearly adjustable by DMX
- Double dimmer/shutter blades, 0.3~25 F.P.S, with macro
- DMX512, 3-pin and 5-pin interfaces, RDM protocol
- Short Mode: 12, Standard Mode: 16
- Pan 720° or endless rotation, Tilt 270° with auto position correction
- Composite plastic, IP20
- Weight: 13.2Kg

Technical Data:

Power Supply: 100~240V AC, 50/60Hz

Power Consumption: 240W@220V

Light Source:

OSRAM SIRIUS HRI 132W (8,800K, 6,000hrs)

Beam angle: 0°~3°

Colour System:

1 Color Wheel: 14 colour filters + white
variable speed and bi-directional rainbow effect
Step/linear colour changing is available

Effects:

1 Rotating Gobo Wheel :

8 interchangeable rotating gobos+ 4 fixed gobos
Shaking and bi-directional wheel scrolling at variable speeds

1582 Xingye Avenue, Nancun, Panyu, Guangzhou, 511442, China
+86-20-3995 2379 Fax.: +86-20-3995 2330 www.pr-lighting.com

Housing:

Composite plastic, IP20

Prism/Frost Wheel:

1 8-facet Prism(bi-directional rotation) +1 frost filter +1 CTO plus white

Focus:

0-100% linearly adjustable by DMX

Strobe:

Double dimmer/shutter blades, 0.3~25 F.P.S, with macro

Control and Programming:

Control: DMX512, 3-pin and 5-pin interfaces, RDM protocol

Channels: Short Mode: 12, Standard Mode: 16

Head Movement :

Pan 720° or endless rotation, Tilt 270° with auto position correction

Other Functions:

Adjustable Pan & Tilt speed, Fixture and lamp usage time display

Modular construction for easy maintenance

Power inlet and outlet

Physical Features:

Housing: Composite plastic, IP20

Weight: 13.2Kg Length: 312mm

Width: 280mm Height: 442mm (Head straight up)

Package Dimensions:

Standard: 505x385x455(mm) 1PC/Carton

Optional: 795x800x635(mm) 4PCS/Flight case

Standard Accessories:

Power cord, 1 pc, with PowerCon and European plugs

XLR connector, 1 set Safety cord, 1pc

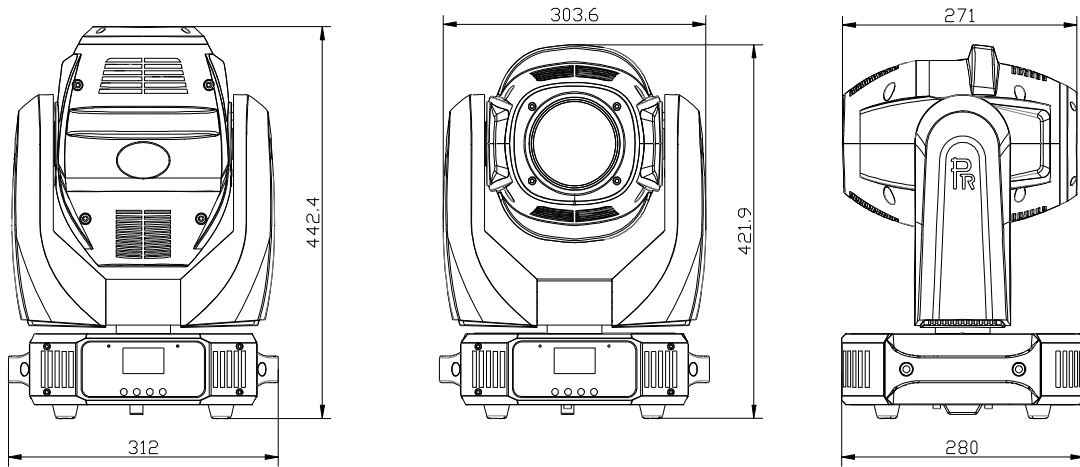
G clamps, 2 pcs

Optional Accessories:

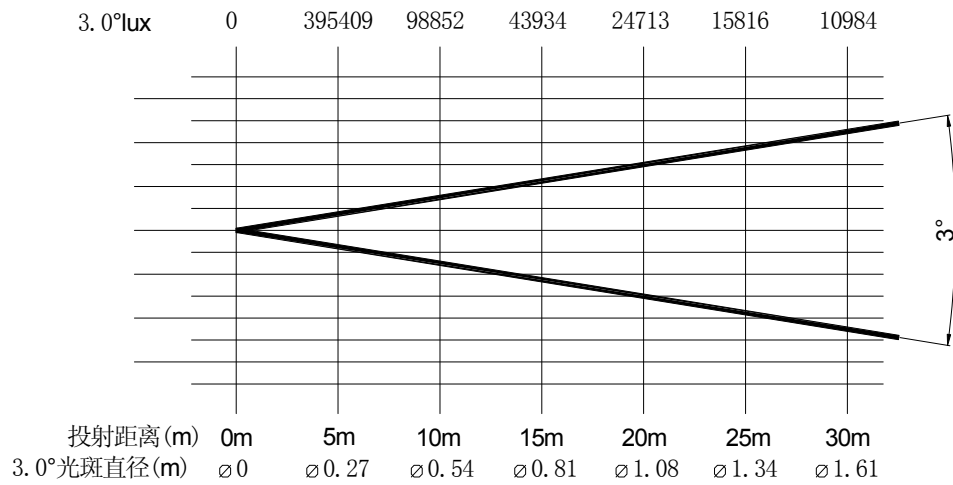
Ω clamps, 2 pcs

1582 Xingye Avenue, Nancun, Panyu, Guangzhou, 511442, China
+86-20-3995 2379 Fax.: +86-20-3995 2330 www.pr-lighting.com

Sizes:



Light Output:



(Preliminary)

1582 Xingye Avenue, Nancun, Panyu, Guangzhou, 511442, China
 +86-20-3995 2379 Fax.: +86-20-3995 2330 www.pr-lighting.com